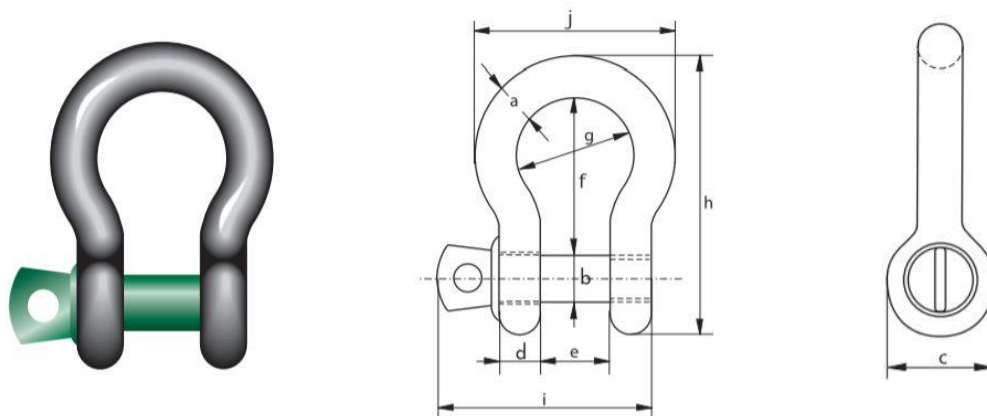


Green Pin® Standard Shackle

Bow Shackles with Screw Collar Pin G-4161



- **Material:** bow and pin high tensile steel, Grade 6, quenched and tempered.
- **Safety Factor:** MBL equals 6 x WLL.
- **Standard:** EN 13889 and meets performance requirements of US Fed. Spec. RR-C-271 Type IVA Class 2, Grade A from 2t and upward these shackles comply with ASME B30.26.
- **Finish:** hot dipped galvanized.
- **Temperature Range:** -40°C up to +200°C.

Working load Limit	Diameter Bow	Diameter Pin	Diameter Eye	Width Eye	Width Inside	Length Inside	Width Bow	Length	Length Bolt	Width	Weight Each
t	a mm	b mm	c mm	d mm	e mm	f mm	g mm	h mm	i mm	j mm	kg
0.33	5	6	12	5	9.5	22	16	36	29.5	26	0.02
0.5	7	8	16.5	7	12	29	20	48.5	38	34	0.05
0.75	9	10	20	9	13.5	32	22	56	46.5	40	0.1
1	10	11	22.5	10	17	36.5	26	63.5	54	46	0.14
1.5	11	13	26.5	11	19	43	29	74	59.5	51	0.19
2	13.5	16	34	13	22	51	32	89	73	58	0.36
3.25	16	19	40	16	27	64	43	110	89	75	0.63
4.75	19	22	46	19	31	76	51	129	103	89	1.01
6.5	22	25	52	22	36	83	58	144	119	102	1.5
8.5	25	28	59	25	43	95	68	164	137	118	2.21
9.5	28	32	66	28	47	108	75	185	153	131	3.16
12	32	35	72	32	51	115	83	201	170	147	4.31
13.5	35	38	80	35	57	133	92	227	186	162	5.55
17	38	42	88	38	60	146	99	249	203	175	7.43
25	45	50	103	45	74	178	126	300	243	216	12.84
35	50	57	111	50	83	197	138	331	272	238	18.15
42.5	57	65	130	57	95	222	160	377	310	274	26.29
55	65	70	145	65	105	260	180	433	344	310	37.6

01489 878769 ■ sales@mcengineeringsservices.com ■ www.mcengineeringsservices.com

