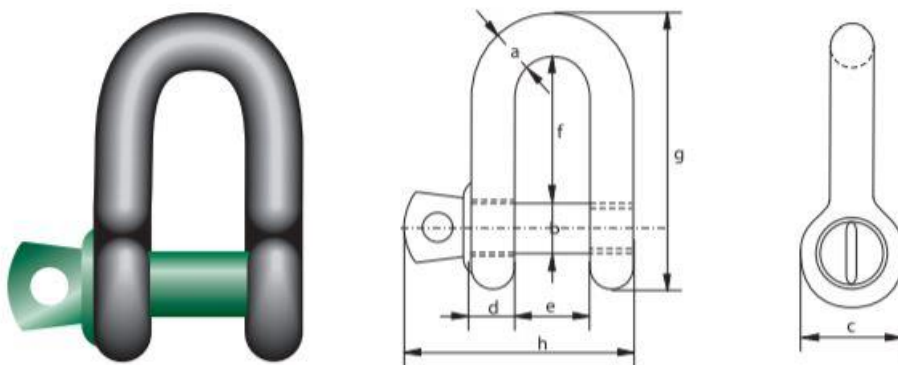


Green Pin® Standard Shackle

Dee Shackles with Screw Collar Pin G-4151



- **Material:** bow and pin high tensile steel, Grade 6, quenched and tempered.
- **Safety Factor:** MBL equals 6 x WLL.
- **Standard:** EN 13889, ASME B30.26 and meets performance requirements of US Fed. Spec. RR-C-271 Type IVB Class 3, Grade A.
- **Finish:** hot dipped galvanised.
- **Temperature Range:** -40°C up to +200°C.

Working load Limit	Diameter Bow	Diameter Pin	Diameter Eye	Width Eye	Width Inside	Length Inside	Length	Length Bolt	Weight Each
t	a mm	b mm	c mm	d Mm	e mm	f mm	g mm	h mm	Kg
0.33	5	6	12	5	9.5	19	33	29.5	0.02
0.5	7	8	16.5	7	12	22	41.5	38	0.05
0.75	9	10	20	9	13.5	26	50	46.5	0.09
1	10	11	22.5	10	17	32	59	54	0.14
1.5	11	13	26.5	11	19	37	68	59.5	0.19
2	13.5	16	34	13	22	43	81	73	0.32
3.25	16	19	40	16	27	51	97	89	0.54
4.75	19	22	46	19	31	59	112	103	0.87
6.5	22	25	52	22	36	73	134	119	1.34
8.5	25	28	59	25	43	85	154	137	2.08
9.5	28	32	66	28	47	90	167	153	2.77
12	32	35	72	32	51	94	180	170	3.72
13.5	35	38	80	35	57	115	209	186	5.14
17	38	42	88	38	60	127	230	203	6.85
25	45	50	103	45	74	149	243	243	11.45
35	50	57	111	50	83	171	272	272	16.86
42.5	57	65	130	57	95	190	310	310	24.61
55	65	70	145	65	105	203	344	344	32.65