

Chain Block Model TCB



Performance

The TCB has undergone a full test program that includes:

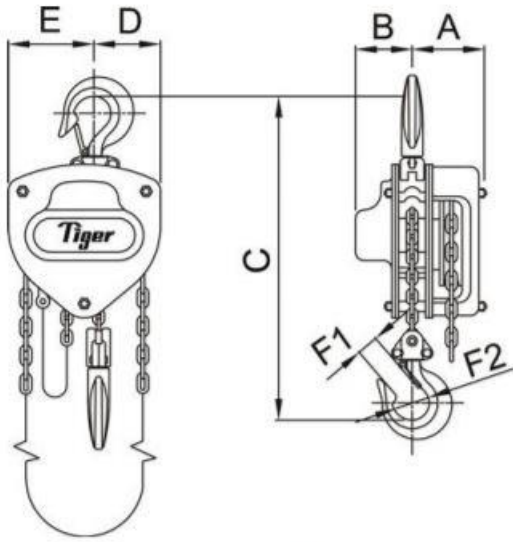
Type Testing

- Ultimate strength test, at least 4 times the Working Load Limit (WLL).
- Continuous cyclic testing of over 1500 cycles.
- Chain end anchorage test, passing at least 2.5 times the WLL without any restriction of the brake or gears.

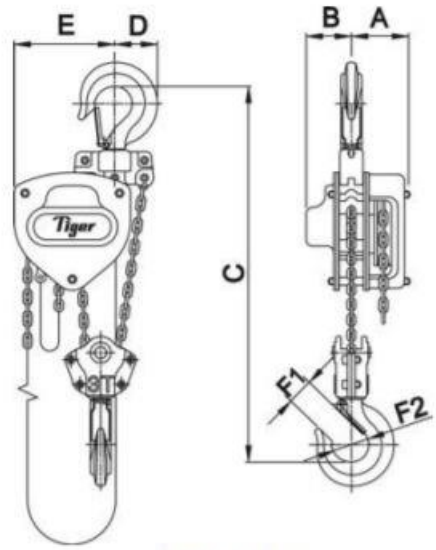
Test on every hoist

- Proof loading at 1.5 times the rated capacity.
- Light load testing at maximum of 2% rated capacity.

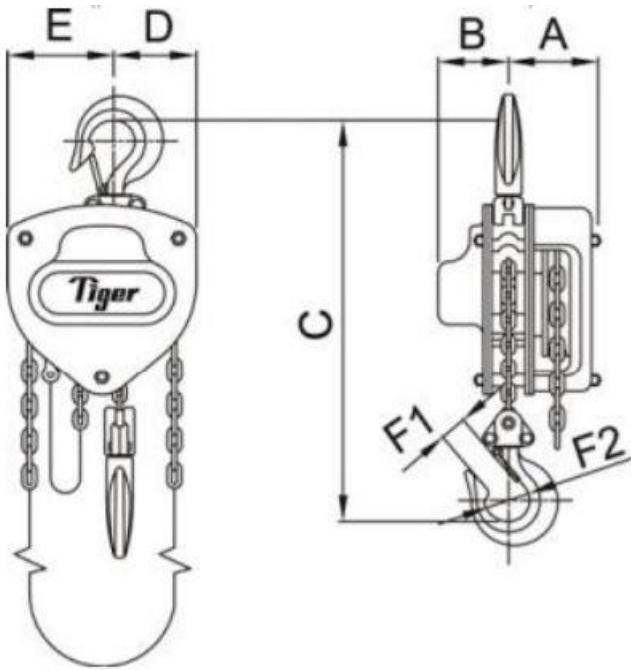
Product Code	Capacity (tonne)	Effort (kg)	Dimensions (mm)							Load Chain		Standard HOL (m)	Mass @ Standard HOL (kg)	Mass for Extra Metre HOL (kg)
			A	B	C	D	E	F1	F2	Diameter (mm)	No. of Falls			
CB-0025	0.25	17	64	40	240	36	60	22	31	Ø4.0	1	3	3.8	0.5
CB-0050	0.5	21	93	66	305	52	78	24	38	Ø6.3	1	3	10.5	1.9
CB-0100	1	25	93	66	340	63	87	28	45	Ø6.3	1	3	11.5	1.9
CB-0150	1.5	32	98	73	385	78	102	34	51	Ø7.1	1	3	16	2.1
CB-0200	2	34	101	79	420	87	113	35	53	Ø8.0	1	3	20	2.4
CB-020L	2	42	98	73	399	78	102	35	53	Ø7.1	1	3	16.5	2.1
CB-0300	3	38	109	84	550	98	157	36	56	Ø10.0	1	3	30.5	3.2
CB-030T	3	34	98	73	465	60	148	36	56	Ø7.1	2	3	23	3.2
CB-0500	5	37	101	79	575	122	209	49	70	Ø8.0	3	3	37.5	5.2
CB-0800	8	37	101	79	745	140	238	51	78	Ø8.0	4	3	64	6.6
CB-1000	10	40	109	84	660	153	263	54	87	Ø10.0	3	3	64	7.5
CB-1500	15	41	109	84	840	225	378	59	81	Ø10.0	5	3	128.5	11.8
CB-2000	20	43	161	90	1050	148	360	81	110	Ø10.0	6	3	178.5	14.2
CB-200T	20	43	161	161	1050	383	383	81	110	Ø10.0	6	3	210.5	15.2
CB-3000	30	42	220	220	1200	388	388	91	135	Ø10.0	10	3	307	23.8



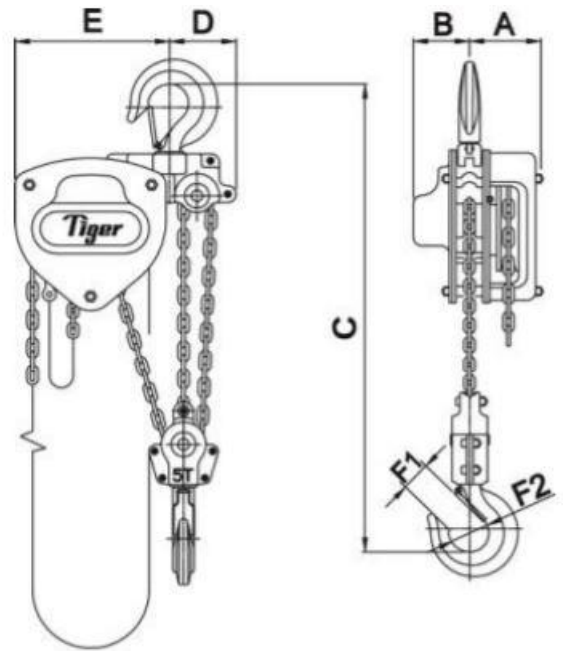
0.25t – 2.0t



3.0t twin fall

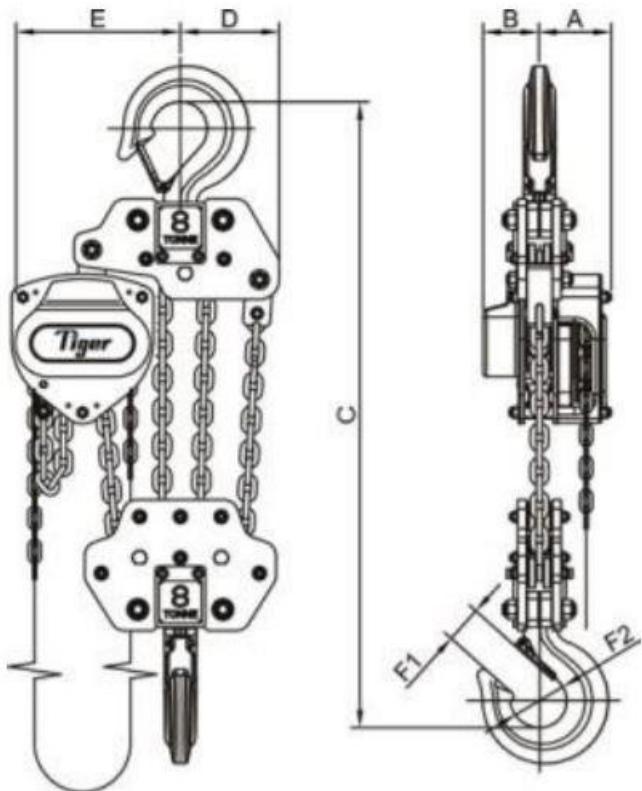


3.0t single fall

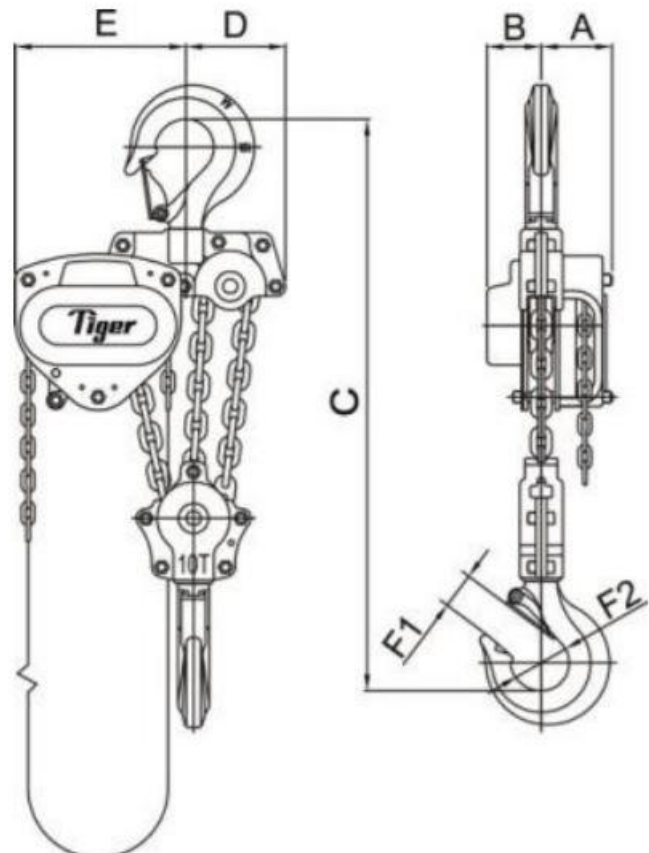


5.0t

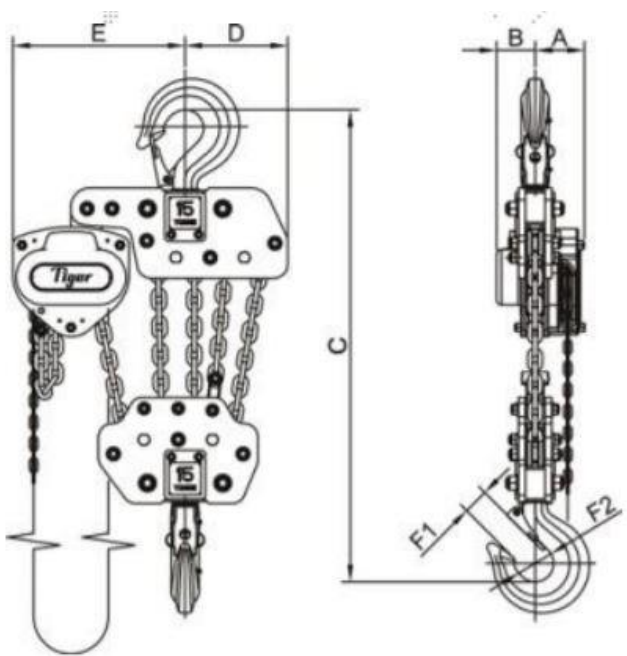




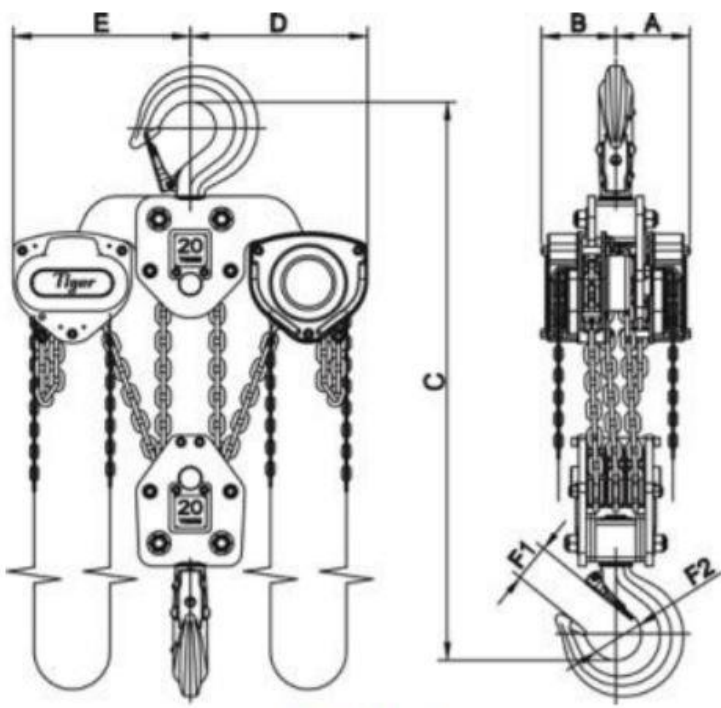
8.0t



10.0t



15.0t



20.0t twin head

01489 878769 ■ sales@mcengineeringervices.com ■ www.mcengineeringervices.com



